



HEPHAIS 128

Interactive fire control panel

- **Maximum 128 addresses**
- **EN54-2, EN54-4**
- **CE Certified according to CPD**

HEPHAIS 128 is an interactive fire detection panel. Complying with **EN54-2 and EN54-4 standards**, **HEPHAIS 128** is reliable and easy to use equipment. Associated to **interactive 05 detectors range**, **HEPHAIS 128** constitutes the ideal fire alarm compact system. Providing as well **4 open lines or 2 loop lines**, it is adapted to all types of required topologies and can manage up to **128 devices (detectors, manual call points, modules)**. Adapted to a large scale of application, **HEPHAIS 128** can answer to requirements of buildings like hotels, retiring houses, schools, but also small industries and manufactures, storage houses, office buildings, back office centres, etc, thanks to its various and numerous outputs allowing many signalling and command orders.

Field configuration, self learning or manual setting constitute very useful start up modes which make **HEPHAIS 128** installation a quick and sure operation. The software **TELEHEPHAIS128** (upload/download data) permits to configure advanced functionalities and manages all the capacities of the panel up to **99 zones and 99 groups of command**.



Main characteristics

- 2 loops (128 addr./loop) or 4 open circuits (32 det./line)
- 99 zones, 99 groups of command
- 1000 memory events
- Pre-alarm mode, day/night mode
- Manual/automatic activation of sounders line
- 2 programmable inputs + 5 programmable relay outputs
- Very easy to program and install
- Self-learning of detectors on the loop
- Programmable by keyboard or software downloading/uploading
- 4 lines, 40 characters LCD display

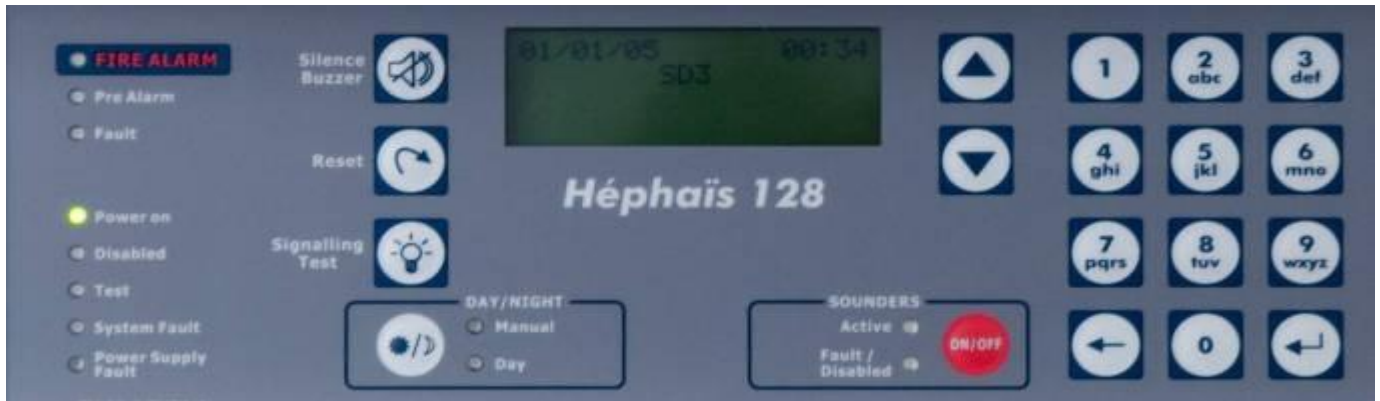
Electrical specification	
Mains supply voltage	230Vac (-15%, +10%), 50Hz (±10%)
Operating voltage	24Vdc
Wiring	2 x 1mm ² min, shielded / Length = 2000m max
Batteries	2 sealed lead-acid batteries connected in series 12V / 7Ah
Autonomy without mains	24 hours in standby mode and 30 minutes in alarm
Autonomy for data storage out of voltage	> 7 days
Data storage	Non volatile memory (Eeprom)
Maximum current supplied	1,2A
Mechanical characteristics	
Dimensions (mm) / weight (without batteries)	H x W x D = 300 x 370 x 120 / 3 Kg
Material/colour	ABS 5V/RAL 7016
IP rating	31
Climatic characteristics	
Operating temperature/storage temperature	-10°C to 50°C/+10°C to 50°C
Operating relative humidity/storage relative humidity	≤ 93% R.H./ ≤ 80% R.H.
Inputs/outputs	
Number of points/zones	128/99
Fire detection lines	2 loops or 4 open lines
Fire alarm management	Alarm, pre alarm, alarm confirmation, hours management day / night mode
Memory events	Up to 1000 events with date and hours
Fire alarm output	1 alarm NC/NO free contact relay
General fault output	1 fault NC/NO free contact relay (active in standby state)
Programmable outputs	Optionally 7 (R7P2) or 12 (R12P2) programmable free potential or resistive relays boards (alarm, pre alarm, fault, panel signalizations/events)
Programmable inputs	2 x inputs for external event management commanded by NO or NC contact (activation/deactivation sounders line, reset, fault, power supply fault, technical input)
Serial communication ports	2 RS232 communication ports for external printer/remote control panel and for programming of the panel from the PC
Monitored sounders line	1 x 24V/1A (shared with 24Vdc output)
External power supply output	1 x 24V/400mA (shared with sounders line)



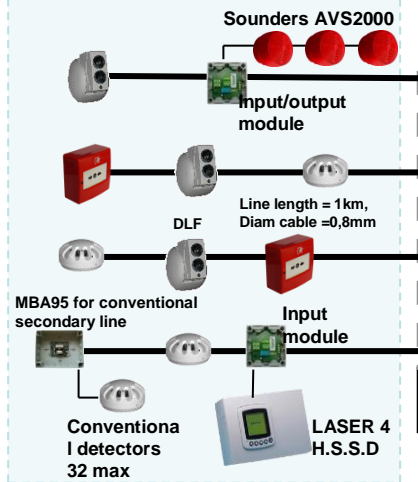


HEPHAIS 128

Interactive fire control panel



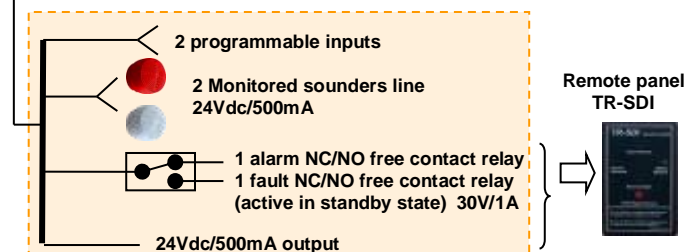
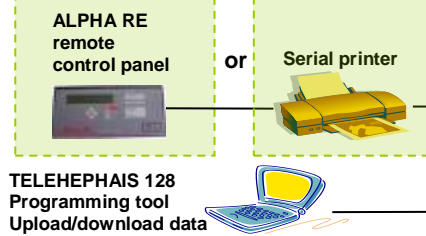
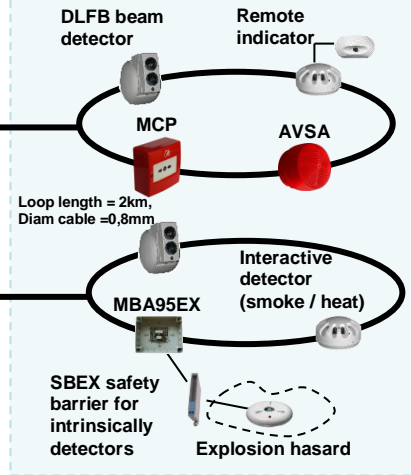
1st POSSIBILITY: 4 OPEN LINES
(128 ADDRESSES MAX IN TOTAL & 32 ADDRESSES MAX PER OPEN LINE)



7 relays board R7P2
or 12 programmable
relays board R12P2
30V/1A



2nd POSSIBILITY: 2 LOOPS
(128 ADDRESSES MAX IN TOTAL
& 128 ADDRESSES MAX PER



REFERENCE
HEPHAIS 128
TELEHEPHAIS 128

DESCRIPTION
Interactive fire control panel 128 points max
Software programming tool

OPTIONS & ACCESSORIES
ALPHA RE
R7P2
R12P2

Remote user interface with serial connection alphanumeric display 160 characters and keyboard
7 relays board
12 programmable relays board

